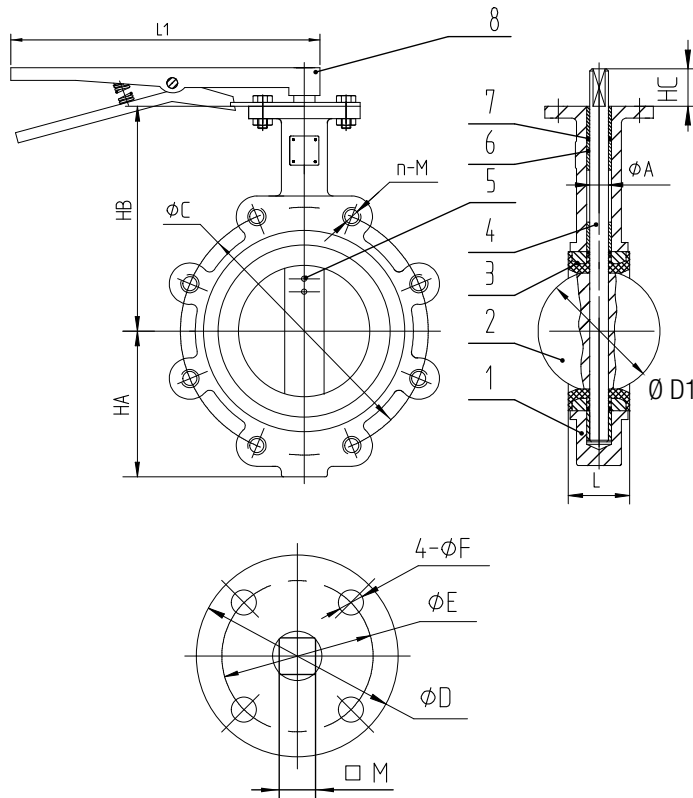


VALVOLE DI INTERCETTAZIONE SHUT-OFF VALVES

BL25

VALVOLA A FARFALLA LUG PN 16 LUG BUTTERFLY VALVE PN 16



| BL25 | CARATTERISTICHE FEATURES |
|---|---|
| Pressione esercizio Working pressure | PN 10 / PN 16 |
| Temperatura esercizio Design temperature | -10°C / +110°C |
| Norma progetto Design standard | EN 593, EN 1074-1, EN 1074-2 |
| Scartamento Face to face | EN 558 |
| Flange Flanges | EN 1092-2 PN 16 |
| Flangia superiore Top flange | ISO 5211 |
| Collaudi Tests | EN 12266-1 |
| Rivestimento Coating | Polvere epossidica RAL 5017, spessore 200-250 µm Epoxy powder RAL 5017, thickness 200-250 µm |

| ITEM | COMPONENTI PART NAME | MATERIALI MATERIALS |
|------|-------------------------|--|
| 1 | Corpo Body | Ghisa sferoidale GGG 40 Ductile iron GGG 40 |
| 2 | Disco Disc | Ghisa sferoidale GGG 40 Ductile iron GGG 40 |
| 3 | Tenuta Seat | Gomma EPDM EPDM |
| 4 | Albero Stem | Acciaio inox AISI 416 SS AISI 416 |
| 5 | Spina Taper pin | Acciaio inox AISI 316 SS AISI 316 |
| 6 | Boccola Bushing | Fibra di vetro + PTFE Fiberglass + PTFE |
| 7 | O-Ring O-Ring | NBR |
| 8 | Leva Handlever | Acciaio al carbonio / Alluminio Carbon Steel / Aluminum |

| SIZE | | HA | HB | HC | L | ØA | ØC | n - M | L1 | ØD | ØD1 | ØE | ØF | ØM | W (Kg) | PN 10 | | PN 16 | |
|------|--------|-----|-----|----|----|-------|-----|----------|-----|-----|--------|-----|----|----|--------|--------------------------------|-------|--------------------------------|--|
| DN | IN | | | | | | | | | | | | | | | COPPIA (N.m)* TORQUE (N.m)* | | COPPIA (N.m)* TORQUE (N.m)* | |
| 40 | 1" 1/2 | 65 | 115 | 30 | 33 | 12.7 | 110 | 4 - M16 | 255 | 65 | 42.5 | 50 | 7 | 9 | 2.5 | 12.6 | 13 | | |
| 50 | 2" | 66 | 130 | 30 | 45 | 12.7 | 125 | 4 - M16 | 255 | 65 | 52.8 | 50 | 7 | 9 | 3.2 | 13.2 | 14 | | |
| 65 | 2" 1/2 | 75 | 140 | 30 | 48 | 12.7 | 145 | 4 - M16 | 255 | 65 | 64.5 | 50 | 7 | 9 | 3.8 | 18 | 20.8 | | |
| 80 | 3" | 95 | 150 | 30 | 49 | 12.7 | 160 | 8 - M16 | 255 | 65 | 78.8 | 50 | 7 | 9 | 5 | 24.6 | 27.9 | | |
| 100 | 4" | 108 | 170 | 30 | 55 | 15.8 | 180 | 8 - M16 | 255 | 90 | 104.1 | 70 | 9 | 11 | 7 | 38.8 | 42.1 | | |
| 125 | 5" | 120 | 185 | 30 | 58 | 19.05 | 210 | 8 - M16 | 255 | 90 | 123.4 | 70 | 9 | 14 | 9.2 | 61 | 71.3 | | |
| 150 | 6" | 135 | 205 | 30 | 59 | 19.05 | 240 | 8 - M20 | 255 | 90 | 155.7 | 70 | 9 | 14 | 11.4 | 90.3 | 102.7 | | |
| 200 | 8" | 168 | 235 | 36 | 64 | 22.2 | 295 | 12 - M20 | 420 | 125 | 202.5 | 102 | 11 | 17 | 17.9 | 159.4 | 170.1 | | |
| 250 | 10" | 200 | 270 | 36 | 70 | 28.6 | 355 | 12 - M24 | 420 | 125 | 250.7 | 102 | 11 | 22 | 27.5 | 320 | 350.9 | | |
| 300 | 12" | 235 | 305 | 36 | 80 | 31.8 | 410 | 12 - M24 | 420 | 125 | 301.85 | 102 | 11 | 22 | 38.9 | 414.8 | 486.5 | | |
| 350 | 14" | 275 | 330 | 36 | 80 | 31.8 | 470 | 16 - M24 | | 125 | 333.4 | 102 | 11 | 22 | 55 | 490.1 | 625 | | |
| 400 | 16" | 300 | 360 | 51 | 90 | 33.3 | 525 | 16 - M27 | | 175 | 390.1 | 140 | 18 | 27 | 95 | 843.7 | 846 | | |

* Aumentare del 30% per includere il margine di sicurezza
* Increase by 30% to include safety margin