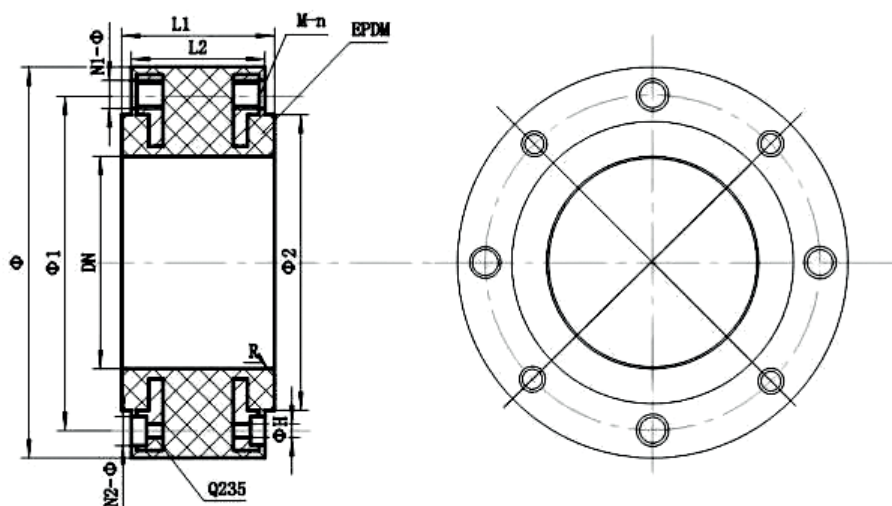


## 99RM - GIUNTI in GOMMA PIENA EPDM - PN 16

### 99RM - EPDM FULL RUBBER JOINTS - PN 16



| DN   | 20      | 25      | 32      | 40      | 50      | 65      | 80      | 100     | 125     | 150   | 200   | 200   |
|------|---------|---------|---------|---------|---------|---------|---------|---------|---------|-------|-------|-------|
| Φ    | 108     | 118     | 143     | 153     | 168     | 189     | 204     | 224     | 254     | 289   | 344   | 344   |
| Φ1   | 75      | 85      | 100     | 110     | 125     | 145     | 160     | 180     | 210     | 240   | 295   | 295   |
| Φ2   | 53      | 62,2    | 77      | 87      | 101     | 121     | 137     | 157     | 187     | 211   | 267   | 267   |
| L1   | 70      | 70      | 70      | 70      | 70      | 70      | 70      | 70      | 70      | 70    | 90    | 90    |
| L2   | 64,4    | 64,4    | 64,4    | 64,4    | 64,4    | 64,4    | 64,4    | 64,4    | 64,4    | 64,4  | 84,4  | 84,4  |
| N1-Φ | 4-Φ13   | 4-Φ13   | 4-Φ22   | 4-Φ22   | 4-Φ22   | 4-Φ22   | 4-Φ22   | 4-Φ22   | 4-Φ22   | 4-Φ27 | 4-Φ27 | 4-Φ27 |
| N2-Φ | 4-Φ20,3 | 4-Φ20,3 | 4-Φ20,3 | 4-Φ20,3 | 4-Φ20,3 | 4-Φ20,3 | 4-Φ20,3 | 4-Φ20,3 | 4-Φ20,3 | 4-Φ25 | 4-Φ25 | 4-Φ25 |
| M-N  | 4-M12   | 4-M12   | 4-M16   | 4-M16   | 4-M16   | 4-M16   | 4-M16   | 4-M16   | 4-M16   | 4-M20 | 4-M20 | 4-M20 |
| ΦH   | 10      | 10      | 10      | 10      | 10      | 10      | 10      | 10      | 10      | 11    | 11    | 11    |
| R    | 3       | 3       | 3       | 3       | 3       | 3       | 3       | 3       | 3       | 3     | 3     | 3     |
| PN   | 16      | 16      | 16      | 16      | 16      | 16      | 16      | 16      | 16      | 16    | 10    | 16    |