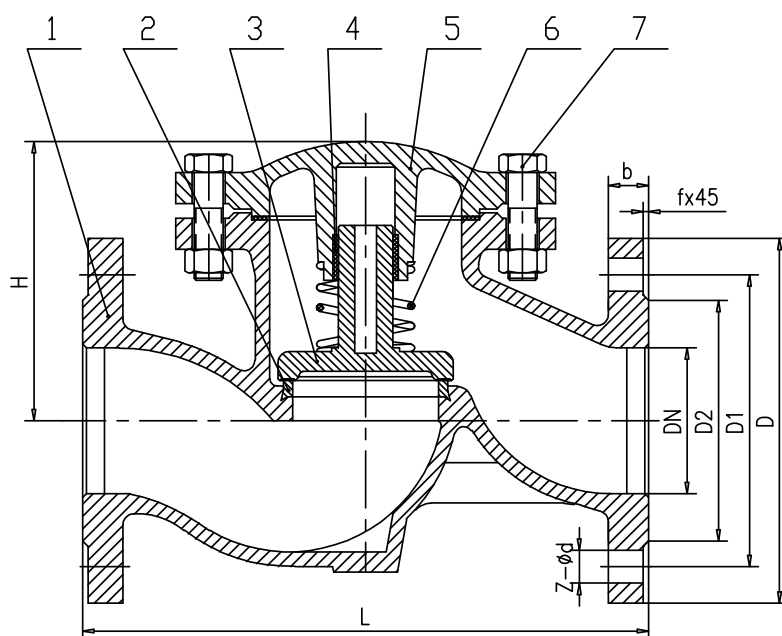


VALVOLE DI RITEGNO CHECK VALVES

LCV VALVOLA DI RITEGNO A FLUSSO AVVIATO PN 16

LCV LIFT CHECK VALVE PN 16



N°	NAME	QTY	MATERIAL
1	BODY	1	GG25
2	SEAT RING	1	BRASS/S.S
3	DISC	1	GG25+BRASS/S.S
4	VALVE GUIDE	1	BRASS
5	BONNET	1	GG25
6	SPRING	1	STAINLESS STEEL
7	BOLT/NUT		CARBON STEEL

Design Temperature

0 ~ +200°C

DN	20	25	32	40	50	65	80	100	125	150	200	250
L	150	160	180	200	230	290	310	350	400	480	600	730
D	105	115	140	150	165	185	200	220	250	285	340	405
D1	75	85	100	110	125	145	160	180	210	240	295	355
D2	58	68	78	88	102	122	138	158	188	212	268	320
H	73	75	84	95	109	129	153	170	200	253	398	485
b	16	16	18	18	20	20	22	24	26	26	30	32
F	2	2	2	3	3	3	3	3	3	3	3	3
Z - d	4-14	4-14	4-18	4-18	4-18	4-18	8-18	8-18	8-18	8-23	12-23	12-27