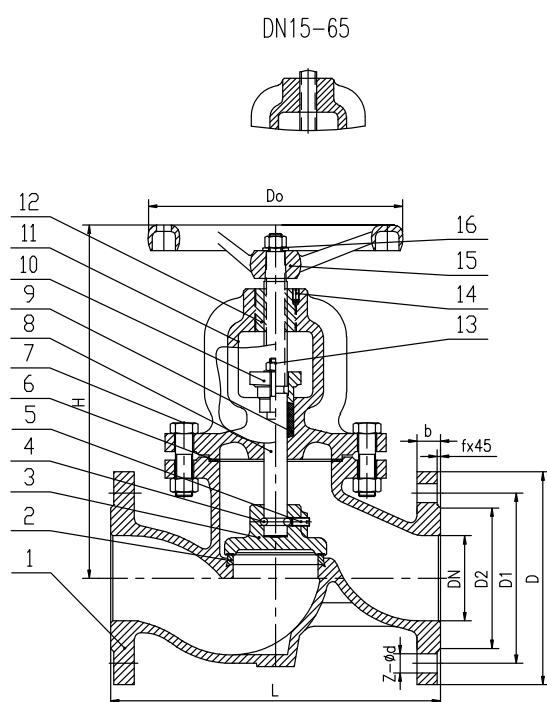


RS VALVOLA A FLUSSO AVVIATO A BADERNA PN 16

RS PN 16 GLOBE VALVE



N°	NAME	QTY	MATERIAL
1	BODY	1	GG25
2	SEAT RING	1	BRASS/S.S
3	DISC	1	GG25+BRASS/S.S
4	STEEL BALL		
5	BOLT	1	CARBON STEEL
6	GASKET	1	GRAPHITE
7	BOLD NUT		CARBON STEEL
8	STEM	1	STAINLESS STEEL
9	PACKING		GRAPHITE
10	GLAND	1	GG25
11	BONNET	1	GG25
12	STEM NUT	1	BRASS
13	BOLD NUT	2	CARBON STEEL
14	BOLT	1	CARBON STEEL
15	WHEEL	1	GG25
16	NUT GASKET	1	CARBON STEEL

Design Temperature

0 ~ +200°C

DN	15	20	25	32	40	50	65	80	100	125	150	200	250
L	130	150	160	180	200	230	290	310	350	400	480	600	730
D	95	105	115	140	150	165	185	200	220	250	285	340	395
D1	65	75	85	100	110	125	145	160	180	210	240	295	355
D2	47	58	68	78	88	102	122	138	158	188	212	268	320
H	170	170	190	210	220	235	275	335	375	425	490	620	705
b	14	16	16	18	18	20	20	22	24	26	26	30	32
F	2	2	2	2	3	3	3	3	3	3	3	3	3
Z - d	4-14	4-14	4-14	4-18	4-18	4-18	4-18	8-18	8-18	8-18	8-23	12-23	12-27
Do	80	80	100	120	120	140	160	240	240	280	320	360	400