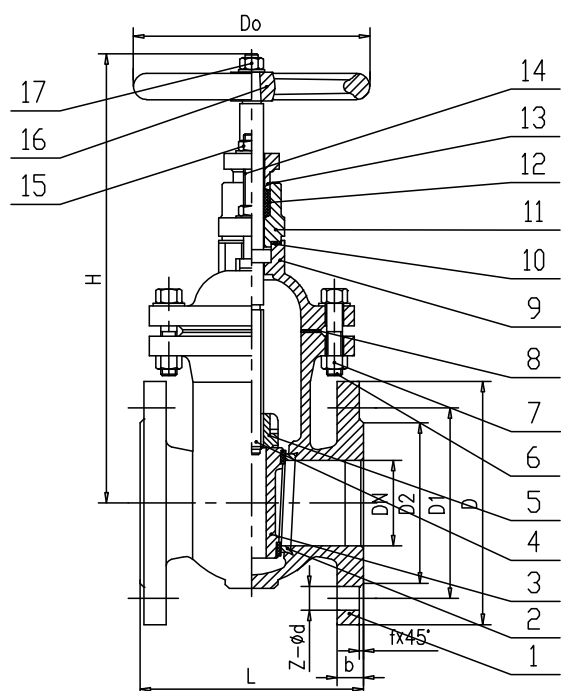


# VALVOLE DI INTERCETTAZIONE INTERCEPTION VALVES

## BSM SARACINESCA CORPO PIATTO TEN. MET. PN 16

### BSM METAL WEDGE GATE VALVE PN 16



N°	NAME	QTY	MATERIAL
1	BODY	1	GG25
2	SEAT	2	BRASS
3	WEDGE DISC	1	GG25+BRASS
4	STEM	1	STAINLESS STEEL
5	STEM NUT	1	BRASS
6	BOLT		CARBON STEEL
7	NUT		CARBON STEEL
8	GASKET	1	GRAPHITE
9	BONNET	1	GG25
10	GASKET	1	GRAPHITE
11	STUFFING BOX	1	GG25
12	PACKING		GRAPHITE
13	GLAND	1	GG25
14	BOLT		CARBON STEEL
15	NUT GASKET		CARBON STEEL
16	WHEEL	1	GG25
17	NUT GASKET	1	CARBON STEEL

Design Temperature -10 ~ +80°C

DN	40	50	65	80	100	125	150	200	250	300
L	140	150	170	180	190	200	210	230	250	270
D	150	165	185	200	220	250	285	340	405	460
D1	110	125	145	160	180	210	240	295	355	410
D2	88	102	122	138	158	188	212	268	320	378
b	18	20	20	22	22	24	24	26	28	28
H	278	331	342	363	382	457	492	586	676	737
F	3	3	3	3	3	3	3	3	3	4
Z - d	4-18	4-18	4-18	8-18	8-18	8-18	8-23	12-23	12-27	12-27
Do	160	160	160	180	200	280	280	280	320	320